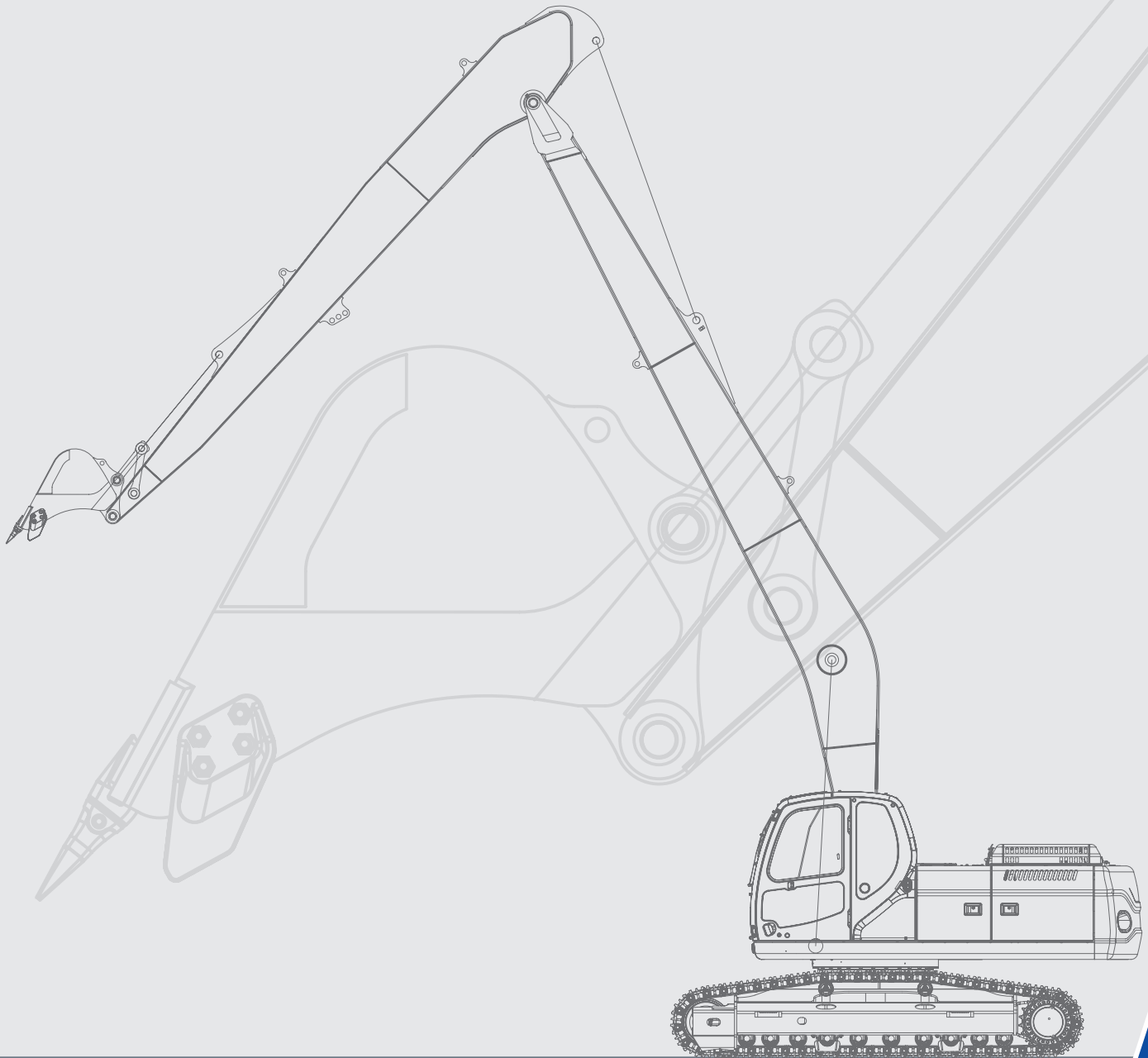




# DX225/255/300/520LC SLR | Crawler Excavator

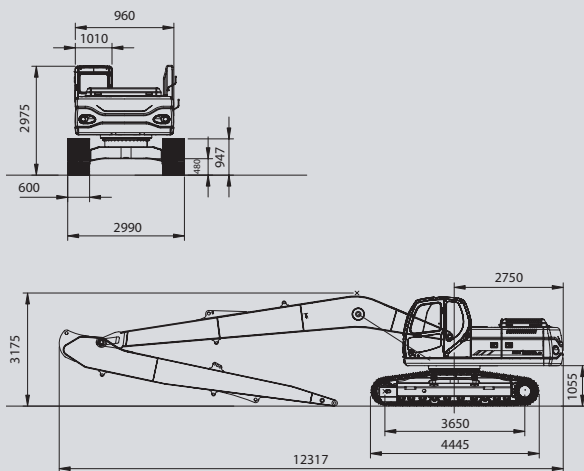


# Dimensions & working ranges

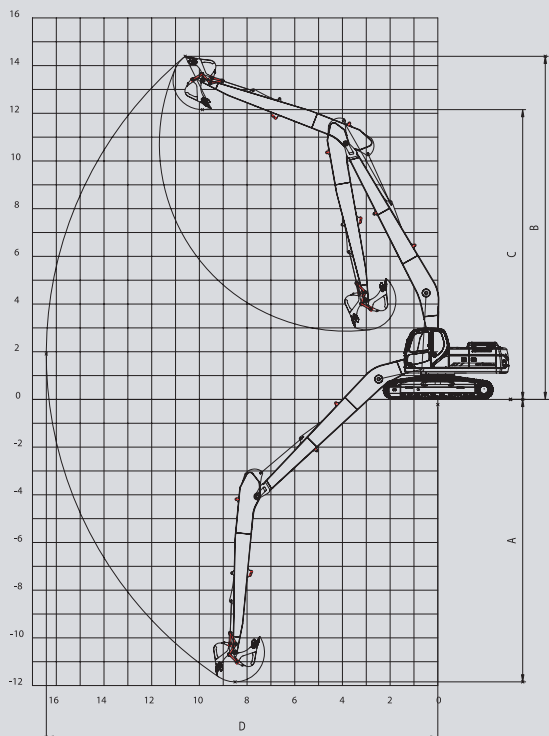
**DX225LC SLR**



## Dimensions



## Working Ranges



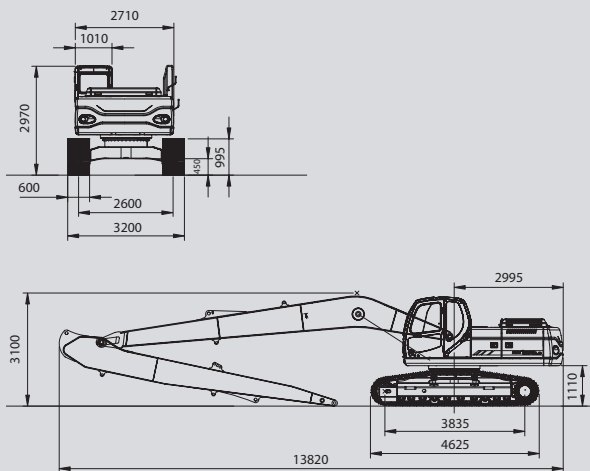
<b>Operating weight</b>	kg	22.860
<b>Bucket</b>		
<b>Capacity SAE</b>	m <sup>3</sup>	0,39
<b>Engine</b>		
<b>Model</b>		DOOSAN DLo6
<b>Displacement (Total dis. volume)</b>	cc	5.890
<b>Rated power/R. P. M.</b>	Hp/rpm	148/1.900
	kW/rpm	110/1.900
<b>Front</b>		
<b>Boom</b>	mm	8.500
<b>Arm</b>	mm	6.200
<b>Dimensions</b>		
<b>Shipping height (Boom)</b>	mm	3.175
<b>Shipping length</b>	mm	12.317
<b>Shipping width</b>	mm	2.990
<b>Working Range</b>		
<b>(A) Max. digging depth</b>	mm	11.661
<b>(B) Max. digging height</b>	mm	13.403
<b>(D) Max. digging reach</b>	mm	15.379
<b>Rear-and swing radius</b>	mm	4.714
<b>Performance</b>		
<b>Max. digging force Bucket</b>	kgf	8.600
<b>* At power boost Arm</b>	kgf	5.890
<b>Traveling speed</b>	km/h	5,5/3,0
<b>Swing speed</b>	rpm	11
<b>Hydraulics</b>		
<b>Pump Type</b>		Variable, Axial Piston
<b>Max. flow rate</b>	l/min	2 x 211
<b>Main relief set pressure</b>	kg/cm <sup>2</sup>	350 / 330
<b>Track</b>		
<b>Shoe width</b>	mm	600
<b>Tumbler distance</b>	mm	3.650
<b>Control</b>		
<b>Lever control type</b>		Hydraulic pilot
<b>Lever pattern</b>		ISO
<b>Tank</b>		
<b>Fuel tank</b>	l	400
<b>Hydraulic tank</b>	l	240
<b>Ground pressure</b>	kg/m <sup>2</sup>	0,48

# Dimensions & working ranges

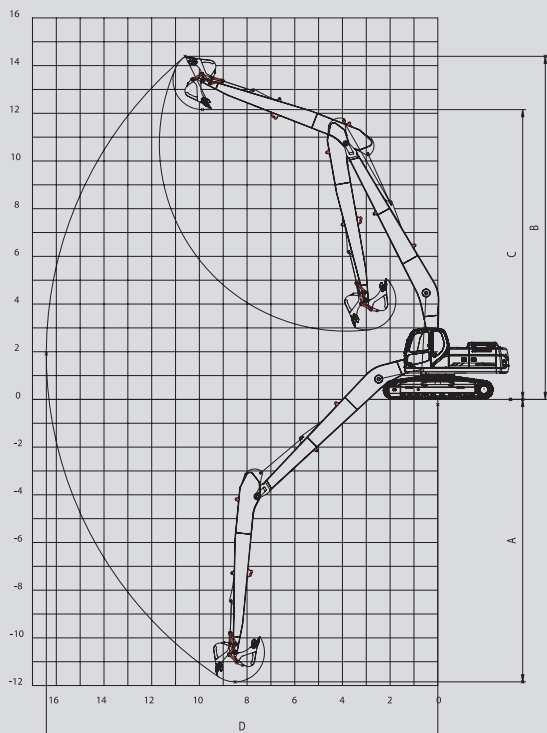
**DX255LC SLR**



## Dimensions



## Working Ranges



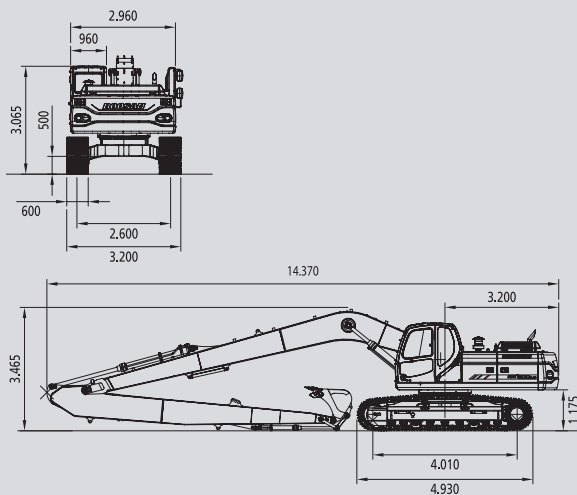
<b>Operating weight</b>	kg	27.250
<b>Bucket</b>		
<b>Capacity SAE</b>	m <sup>3</sup>	0,50
<b>Engine</b>		
<b>Model</b>		DOOSAN DLo6
<b>Displacement (Total dis. volume)</b>	cc	5.890
<b>Rated power/R. P. M.</b>	Hp/rpm	173/1.900
	kW/rpm	129/1.900
<b>Front</b>		
<b>Boom</b>	mm	9.550
<b>Arm</b>	mm	6.600
<b>Dimensions</b>		
<b>Shipping height (Boom)</b>	mm	3.100
<b>Shipping length</b>	mm	13.820
<b>Shipping width</b>	mm	3.200
<b>Working Range</b>		
<b>(A) Max. digging depth</b>	mm	11.845
<b>(B) Max. digging height</b>	mm	12.154
<b>(D) Max. digging reach</b>	mm	16.420
<b>Rear-and swing radius</b>	mm	2.995
<b>Performance</b>		
<b>Traveling speed</b>	km/h	3,1/5,2
<b>Swing speed</b>	rpm	10,0
<b>Hydraulics</b>		
<b>Pump Type</b>		Variable, Axial Piston
<b>Max. flow rate</b>	l/min	2 x 219
<b>Main relief set pressure</b>	kg/cm <sup>2</sup>	350 / 330
<b>Track</b>		
<b>Shoe width</b>	mm	600
<b>Tumbler distance</b>	mm	3.835
<b>Control</b>		
<b>Lever control type</b>		Hydraulic pilot
<b>Lever pattern</b>		ISO
<b>Tank</b>		
<b>Fuel tank</b>	l	410
<b>Hydraulic tank</b>	l	240
<b>Ground pressure</b>	kg/m <sup>2</sup>	0,55

# Dimensions & working ranges

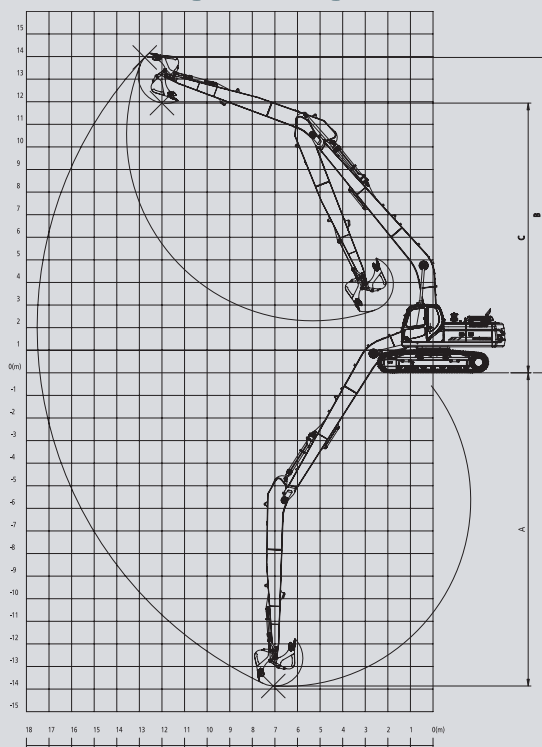
**DX300LC SLR**



## Dimensions



## Working Ranges



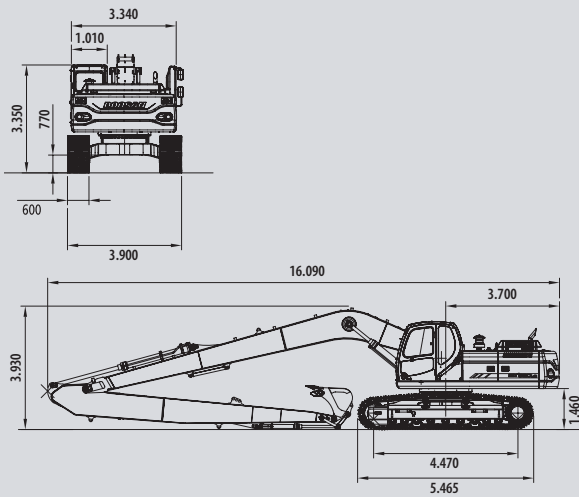
<b>Operating weight</b>	kg	30.000
<b>Bucket</b>		
<b>Capacity SAE</b>	m <sup>3</sup>	0,64
<b>Engine</b>		
<b>Model</b>		DOOSAN DLo6
<b>Displacement (Total dis. volume)</b>	cc	7.640
<b>Rated power/R. P. M.</b>	Hp/rpm	197/1.900
	kW/rpm	147/1.900
<b>Front</b>		
<b>Boom</b>	mm	10.000
<b>Arm</b>	mm	7.000
<b>Dimensions</b>		
<b>Shipping height (Boom)</b>	mm	3.465
<b>Shipping length</b>	mm	14.370
<b>Shipping width</b>	mm	3.200
<b>Working Range</b>		
<b>(A) Max. digging depth</b>	mm	13.875
<b>(B) Max. digging height</b>	mm	14.155
<b>(D) Max. digging reach</b>	mm	17.520
<b>Rear-and swing radius</b>	mm	6.125
<b>Performance</b>		
<b>Max. digging force Bucket</b>	kgf	20.400*
<b>* At power boost Arm</b>	kgf	7.400*
<b>Traveling speed</b>	km/h	5,1/3,0
<b>Swing speed</b>	rpm	9,9
<b>Hydraulics</b>		
<b>Pump Type</b>		Tandem, Axial Piston
<b>Max. flow rate</b>	l/min	2 x 247
<b>Main relief set pressure</b>	kg/cm <sup>2</sup>	350 / 330
<b>Track</b>		
<b>Shoe width</b>	mm	600
<b>Tumbler distance</b>	mm	4.010
<b>Control</b>		
<b>Lever control type</b>		Hydraulic pilot
<b>Lever pattern</b>		SAE
<b>Tank</b>		
<b>Fuel tank</b>	l	500
<b>Hydraulic tank</b>	l	280
<b>Ground pressure</b>		
	kg/m <sup>2</sup>	0,57

# Dimensions & working ranges

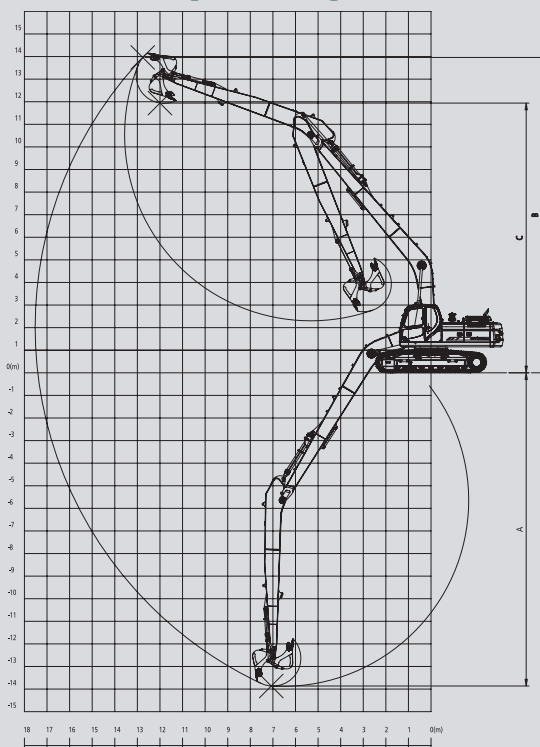
## DX520LC SLR



## Dimensions



## Working Ranges



<b>Operating weight</b>			
	kg	50.200	50.800
<b>Bucket</b>			
<b>Capacity SAE</b>	m <sup>3</sup>	1,27	0,93
<b>Engine</b>			
<b>Model</b>		DOOSAN DV11	
<b>Displacement (Total dis. volume)</b>	cc	10.964	
<b>Rated power/R. P. M.</b>	Hp/rpm	328/1.800	
	kW/rpm	245/1.800	
<b>Front</b>			
<b>Boom</b>	mm	9.000	11.000
<b>Arm</b>	mm	6.000	8.000
<b>Dimensions</b>			
<b>Shipping height (Boom)</b>	mm	3.770	3.930
<b>Shipping length</b>	mm	14.050	16.090
<b>Shipping width</b>	mm	3.340	3.340
<b>Working Range</b>			
<b>(A) Max. digging depth</b>	mm	11.800	15.130
<b>(B) Max. digging height</b>	mm	12.800	14.520
<b>(D) Max. digging reach</b>	mm	16.060	19.610
<b>Rear-and swing radius</b>	mm	6.470	6.210
<b>Performance</b>			
<b>Max. digging force Bucket</b>	kgf	20.300	15.200
<b>* At power boost Arm</b>	kgf	15.100	11.900
<b>Traveling speed</b>	km/h	5,0/3,1	
<b>Swing speed</b>	rpm	8,8	
<b>Hydraulics</b>			
<b>Pump Type</b>		Parallel, Axial Piston	
<b>Max. flow rate</b>	l/min	2.355	
<b>Main relief set pressure</b>	kg/cm <sup>2</sup>	350 / 320	
<b>Track</b>			
<b>Shoe width</b>	mm	600	
<b>Tumbler distance</b>	mm	4.470	
<b>Control</b>			
<b>Lever control type</b>		Hydraulic pilot	
<b>Lever pattern</b>		SAE	
<b>Tank</b>			
<b>Fuel tank</b>	l	620	
<b>Hydraulic tank</b>	l	500	
<b>Ground pressure</b>			
	kg/m <sup>2</sup>	0,85	0,87



Doosan Infracore  
Construction Equipment

