

TCR50



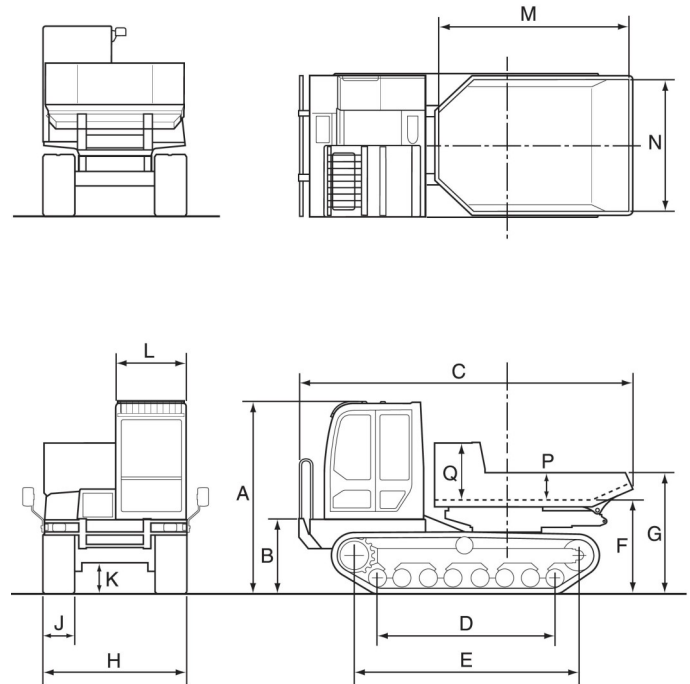
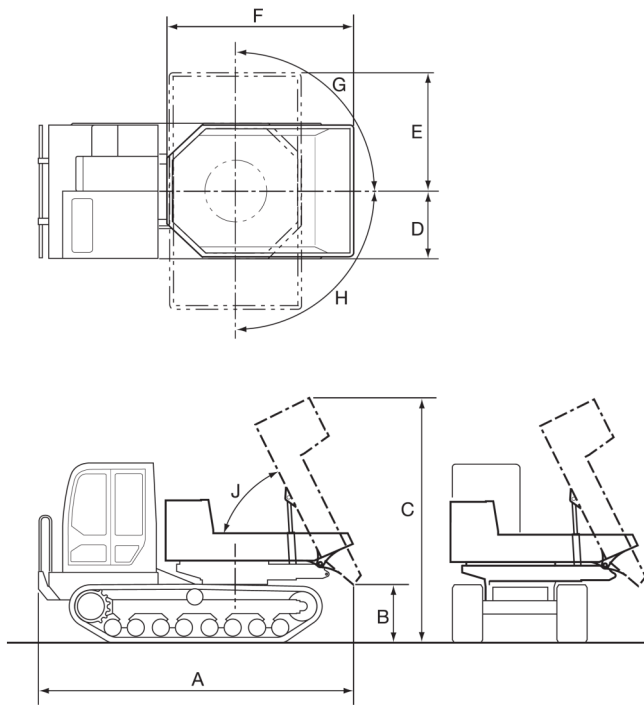
#### The New TCR50 Features

- reversing camera
- improved hi visibility cab
- new colour VDU controls
- increased cab & foot room
- comfortable adjustable seat
- automatic fuel-pump
- left and right skip-tip function

**FULLY HYDRAULIC TRACKED**  
**ALL TERRAIN CARRIER**

**TAKEUCHI**  
Japanese for reliability

# Operating Range and Machine Dimensions (mm)



Operating Range		mm
A	Overall tipping length	4680
B	Skip discharge height (mm)	885
C	Skip height when tipped (mm)	3610
D	Measurement to centre	1005
E	Measurement to centre at 90°	1730
F	Length of skip	2735
G	Slew angle Left	90°
H	Slew angle right	90°
J	Tip angle (mm)	65°

Machine Dimensions		mm
A	Height (mm)	2725
B	Ground to cab platform height	1040
C	Length (Transporting) (mm)	4660
D	Ground Contact Length (mm)	2500
E	Crawler base	3145
F	Ground to skip base height	1330
G	Height of skip	1715
H	Width (mm)	2200
J	Track Width (mm)	450
K	Ground Clearance (mm)	435
L	Width of cab	980
M	Skip length (internal) (mm)	2615
N	Skip width (internal) (mm)	1795
P	Depth of skip	385
Q	Head board height	750

Weight	
Operating Weight kg	6410
Engine	
Make	YANMAR
Model	4TNV94CHT
Rated Output Net (kW)/RPM	88.4 / 2500
Maximum Torque (N.m / min -1)	410 - 1700
Cylinders	4
Displacement (cc)	3053
Electrical System	12 volt / 72 amp
Hydro Slew System	
Skip slew angle (L/R)	90°/90°
Slew Speed (180°) (sec)	7.1
Dump Speed (up) (sec)	8.4 +/- 0.8
Dump Speed (down) (sec)	5.7 +/- 0.8
Slew Motor	Piston
Traction Motor	2 Speed Piston
Slew Brake	Disc
Discharge	122.5x2 + 69.5x1 + 34.3x1 + 12.8x1

Undercarriage	
Traction Motor	Axial Piston
Traction Drive	Planetary
Traction Brake	Disc
Ground Pressure ISO 6754 (Loaded / Empty) (kpa)	41.5 / 26.3
Travel Speed (kph)	0 - 9.2
Maximum Gradeability	30°
Capacities	
Hydraulic System (Level / System) (l)	75
Fuel Tank litres (l)	127
Engine Oil litres (l)	10.5
Cooling System (l)	17.5
Dump Body Capacity (Heaped) m³	2055
Maximum Loading Mass kg	3700

04/2016

**Takeuchi Mfg (UK) Ltd,**  
Unit E2B Kingsway Business Park John Boyd Dunlop Drive,  
Rochdale, Lancashire OL16 4NG  
Tel 01706 657722

Southern Depot at 20 Colthorp Business Park  
Colthorp Lane, Thatcham, Newbury, Berks RG19 4NB  
Tel 01635 877 196

Takeuchi machines come with a 2 year / 2000 hours warranty as standard. Warranty exceptions to 1 year; fuel injection systems, electrical components, paint work. In accordance with our established policy of constant improvement. We reserve the right to amend these specifications at any time without notice. Photographs shown may feature non-standard equipment.

**TAKEUCHI**  
Japanese for reliability